

74ALVC2245

Low Voltage Bidirectional Transceiver with 3.6V Tolerant Inputs and Outputs and 26Ω Series Resistors in B Outputs

General Description

The ALVC2245 contains eight non-inverting bidirectional buffers with 3-STATE outputs and is intended for bus oriented applications. The T/R input determines the direction of data flow. The \overline{OE} input disables both the A and B ports by placing them in a high impedance state.

The 74ALVC2245 is designed for low voltage (1.65V to 3.6V) V_{CC} applications with I/O compatibility up to 3.6V. The ALVC2245 is also designed with 26Ω series resistance in the B Port outputs. This design reduces line noise in applications such as memory address drivers, clock drivers, and bus transceivers transmitters.

The 74ALVC2245 is fabricated with an advanced CMOS technology to achieve high-speed operation while maintaining low CMOS power dissipation.

Features

- 1.65V to 3.6V V_{CC} supply operation
- 3.6V tolerant inputs and outputs
- 26Ω series resistors in B Port outputs
- Power-off high impedance inputs and outputs
- Supports Live Insertion and Withdrawal (Note 1)
- t_{PD} (A to B)
 - 4.9 ns max for 3.0V to 3.6V V_{CC}
 - 6.1 ns max for 2.3V to 2.7V V_{CC}
 - 9.8 ns max for 1.65V to 1.95V V_{CC}
- Uses patented Quiet Series™ noise/EMI reduction circuitry
- Latchup conforms to JEDEC JED78
- ESD performance:
 - Human body model > 2000V
 - Machine model > 200V

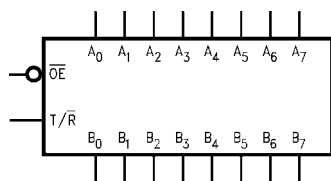
Note 1: To ensure the high impedance state during power up and power down, \overline{OE}_n should be tied to V_{CC} through a pull up resistor. The minimum value of the resistor is determined by the current sourcing capability of the driver.

Ordering Code:

| Order Number | Package Number | Package Description |
|---------------|----------------|---|
| 74ALVC2245WM | M20B | 20-Lead Small Outline Integrated Circuit (SOIC), JEDEC MS-013, 0.300" Wide |
| 74ALVC2245MTC | MTC20 | 20-Lead Thin Shrink Small Outline Package (TSSOP), JEDEC MO-153, 4.4mm Wide |

Devices also available in Tape and Reel. Specify by appending the suffix letter "X" to the ordering code.

Logic Symbol

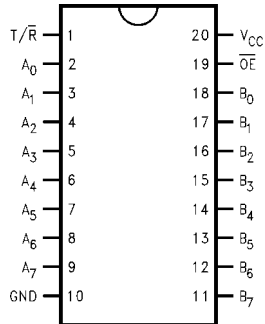


Pin Descriptions

| Pin Names | Description |
|--------------------------------|----------------------------------|
| \overline{OE} | Output Enable Input (Active LOW) |
| T/R | Transmit/Receive Input |
| A ₀ -A ₇ | Side A Inputs or 3-STATE Outputs |
| B ₀ -B ₇ | Side B Inputs or 3-STATE Outputs |

Quiet Series™ is a trademark of Fairchild Semiconductor Corporation.

Connection Diagram



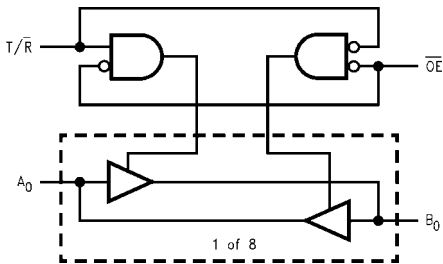
Truth Table

| Inputs | | Outputs |
|-----------------|------------------|--|
| \overline{OE} | T/\overline{R} | |
| L | L | Bus B ₀ -B ₇ Data to Bus A ₀ -A ₇ |
| L | H | Bus A ₀ -A ₇ Data to Bus B ₀ -B ₇ |
| H | X | HIGH Z State on A ₀ -A ₇ , B ₀ -B ₇ (Note 2) |

H = HIGH Voltage Level
 L = LOW Voltage Level
 X = Immaterial
 Z = High Impedance

Note 2: Unused bus terminals during HIGH Z State must be held HIGH or LOW.

Logic Diagram



Absolute Maximum Ratings(Note 3)

| | |
|--|--------------------------|
| Supply Voltage (V_{CC}) | -0.5V to +4.6V |
| DC Input Voltage (V_I) | -0.5V to 4.6V |
| Output Voltage (V_O) (Note 4) | -0.5V to $V_{CC} + 0.5V$ |
| DC Input Diode Current (I_{IK}) | |
| $V_I < 0V$ | -50 mA |
| DC Output Diode Current (I_{OK}) | |
| $V_O < 0V$ | -50 mA |
| DC Output Source/Sink Current (I_{OH}/I_{OL}) | ± 50 mA |
| DC V_{CC} or GND Current per Supply Pin (I_{CC} or GND) | ± 100 mA |
| Storage Temperature Range (T_{STG}) | -65°C to +150°C |

Recommended Operating Conditions (Note 5)

| | |
|---|----------------|
| Power Supply | |
| Operating | 1.65V to 3.6V |
| Input Voltage | 0V to V_{CC} |
| Output Voltage (V_O) | 0V to V_{CC} |
| Free Air Operating Temperature (T_A) | -40°C to +85°C |
| Minimum Input Edge Rate ($\Delta t/\Delta V$) | |
| $V_{IN} = 0.8V$ to 2.0V, $V_{CC} = 3.0V$ | 10 ns/V |

Note 3: The Absolute Maximum Ratings are those values beyond which the safety of the device cannot be guaranteed. The device should not be operated at these limits. The parametric values defined in the Electrical Characteristics tables are not guaranteed at the Absolute Maximum Ratings. The "Recommended Operating Conditions" table will define the conditions for actual device operation.

Note 4: I_O Absolute Maximum Rating must be observed.

Note 5: Floating or unused control inputs must be held HIGH or LOW.

DC Electrical Characteristics

| Symbol | Parameter | Conditions | V_{CC} (V) | Min | Max | Units |
|----------|--|----------------------------------|---------------------------------------|------------------------------------|------------------------------------|---------|
| V_{IH} | HIGH Level Input Voltage | | 1.65 - 1.95 2.3 - 2.7 2.7 - 3.6 | $0.65 \times V_{CC}$ 1.7 2.0 | | V |
| V_{IL} | LOW Level Input Voltage | | 1.65 - 1.95 2.3 - 2.7 2.7 - 3.6 | | $0.35 \times V_{CC}$ 0.7 0.8 | V |
| V_{OH} | HIGH Level Output Voltage A Outputs | $I_{OH} = -100 \mu A$ | 1.65 - 3.6 | $V_{CC} - 0.2$ | | V |
| | | $I_{OH} = -4$ mA | 1.65 | 1.2 | | |
| | | $I_{OH} = -6$ mA | 2.3 | 2.0 | | |
| | | $I_{OH} = -12$ mA | 2.3 | 1.7 | | |
| | | | 2.7 | 2.2 | | |
| | | | 3.0 | 2.4 | | |
| | HIGH Level Output Voltage B Outputs | $I_{OH} = -24$ mA | 3.0 | 2 | | |
| | | $I_{OH} = -100 \mu A$ | 1.65 - 3.6 | $V_{CC} - 0.2$ | | |
| | | $I_{OH} = -2$ mA | 1.65 | 1.2 | | |
| | | $I_{OH} = -4$ mA | 2.3 | 1.9 | | |
| | | $I_{OH} = -6$ mA | 2.3 | 1.7 | | |
| | | | 3.0 | 2.4 | | |
| | | $I_{OH} = -8$ mA | 2.7 | 2 | | |
| | | $I_{OH} = -12$ mA | 3.0 | 2 | | |
| V_{OL} | LOW Level Output Voltage A Outputs | $I_{OL} = 100 \mu A$ | 1.65 - 3.6 | | 0.2 | V |
| | | $I_{OL} = 4$ mA | 1.65 | | 0.45 | |
| | | $I_{OL} = 6$ mA | 2.3 | | 0.4 | |
| | | $I_{OL} = 12$ mA | 2.3 | | 0.7 | |
| | | | 2.7 | | 0.4 | |
| | | $I_{OL} = 24$ mA | 3.0 | | 0.55 | |
| | LOW Level Output Voltage B Outputs | $I_{OL} = 100 \mu A$ | 1.65 - 3.6 | | 0.2 | |
| | | $I_{OL} = 2$ mA | 1.65 | | 0.45 | |
| | | $I_{OL} = 4$ mA | 2.3 | | 0.4 | |
| | | $I_{OL} = 6$ mA | 2.3 | | 0.55 | |
| | | | 3.0 | | 0.55 | |
| | | $I_{OL} = 8$ mA | 2.7 | | 0.6 | |
| | | $I_{OL} = 12$ mA | 3.0 | | 0.8 | |
| | | | 3.0 | | 0.8 | |
| I_I | Input Leakage Current | $0 \leq V_I \leq 3.6V$ | 1.65 - 3.6 | | ± 5.0 | μA |
| I_{CC} | Quiescent Supply Current | $V_I = V_{CC}$ or GND, $I_O = 0$ | 3.6 | | 40 | μA |

| DC Electrical Characteristics (Continued) | | | | | | | | | | |
|---|---------------------------------------|--|------------------------------------|------------------------|-------|------------------------------|-----|--------------------------------|-------|-------|
| Symbol | Parameter | Conditions | | | | V _{CC} (V) | Min | Max | Units | |
| ΔI_{CC} | Increase in I _{CC} per Input | V _{IH} = V _{CC} - 0.6V | | | | 2.7 - 3.6 | | 750 | μA | |
| AC Electrical Characteristics | | | | | | | | | | |
| Symbol | Parameter | T _A = -40°C to +85°C, R _L = 500Ω | | | | | | | | Units |
| | | C _L = 50 pF | | | | C _L = 30 pF | | | | |
| | | V _{CC} = 3.3V ± 0.3V | | V _{CC} = 2.7V | | V _{CC} = 2.5 ± 0.2V | | V _{CC} = 1.8V ± 0.15V | | |
| | | Min | Max | Min | Max | Min | Max | Min | Max | |
| t _{PHL} , t _{PLH} | Propagation Delay A to B | 1.1 | 4.9 | 1.3 | 6.1 | 0.8 | 5.6 | 1.5 | 9.8 | ns |
| | Propagation Delay B to A | 1.1 | 4.0 | 1.3 | 4.7 | 0.8 | 4.2 | 1.5 | 8.4 | |
| t _{PZL} , t _{PZH} | Output Enable Time A to B | 1.1 | 5.5 | 1.3 | 7.1 | 0.8 | 6.6 | 1.5 | 9.8 | ns |
| | Output Enable Time B to A | 1.1 | 5.0 | 1.3 | 6.1 | 0.8 | 5.6 | 1.5 | 9.8 | |
| t _{PLZ} , t _{PHZ} | Output Disable Time A to B | 1.1 | 4.7 | 1.3 | 5.2 | 0.8 | 4.7 | 1.5 | 8.5 | ns |
| | Output Disable Time B to A | 1.1 | 4.1 | 1.3 | 4.5 | 0.8 | 4.0 | 1.5 | 7.2 | |
| Capacitance | | | | | | | | | | |
| Symbol | Parameter | Conditions | T _A = +25°C | | Units | | | | | |
| | | | V _{CC} | Typical | | | | | | |
| C _{IN} | Input Capacitance | V _I = 0V or V _{CC} | 3.3 | 6 | pF | | | | | |
| C _{IO} | Input, Output Capacitance | V _O = 0V or V _{CC} | 3.3 | 7 | pF | | | | | |
| C _{PD} | Power Dissipation Capacitance | Outputs Enabled | f = 10 MHz, C _L = 50 pF | 3.3 | 20 | pF | | | | |
| | | | | 2.5 | 20 | | | | | |

AC Loading and Waveforms

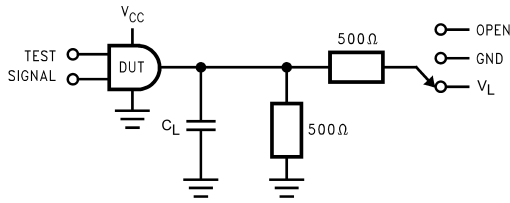


TABLE 1. Values for Figure 1

| TEST | SWITCH |
|-----------------------|--------|
| t_{PLH} , t_{PHL} | Open |
| t_{PZL} , t_{PLZ} | V_L |
| t_{PZH} , t_{PHZ} | GND |

FIGURE 1. AC Test Circuit

TABLE 2. Variable Matrix
(Input Characteristics: $f = 1\text{MHz}$; $t_r = t_f = 2\text{ns}$; $Z_O = 50\Omega$)

| Symbol | V_{CC} | | | |
|----------|-------------------------------|------------------------|-------------------------|--------------------------------|
| | $3.3\text{V} \pm 0.3\text{V}$ | 2.7V | $2.5 \pm 0.2\text{V}$ | $1.8\text{V} \pm 0.15\text{V}$ |
| V_{mi} | 1.5V | 1.5V | $V_{CC}/2$ | $V_{CC}/2$ |
| V_{mo} | 1.5V | 1.5V | $V_{CC}/2$ | $V_{CC}/2$ |
| V_X | $V_{OL} + 0.3\text{V}$ | $V_{OL} + 0.3\text{V}$ | $V_{OL} + 0.15\text{V}$ | $V_{OL} + 0.15\text{V}$ |
| V_Y | $V_{OH} - 0.3\text{V}$ | $V_{OH} - 0.3\text{V}$ | $V_{OH} - 0.15\text{V}$ | $V_{OH} - 0.15\text{V}$ |
| V_L | 6V | 6V | $V_{CC} \times 2$ | $V_{CC} \times 2$ |

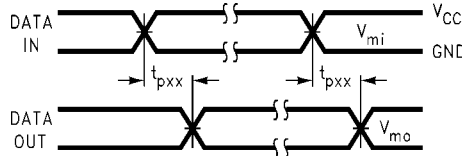


FIGURE 2. Waveform for Inverting and Non-inverting Functions

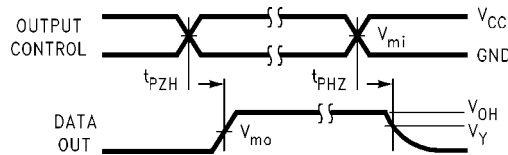


FIGURE 3. 3-STATE Output High Enable and Disable Times for Low Voltage Logic

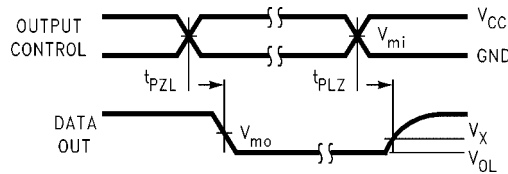
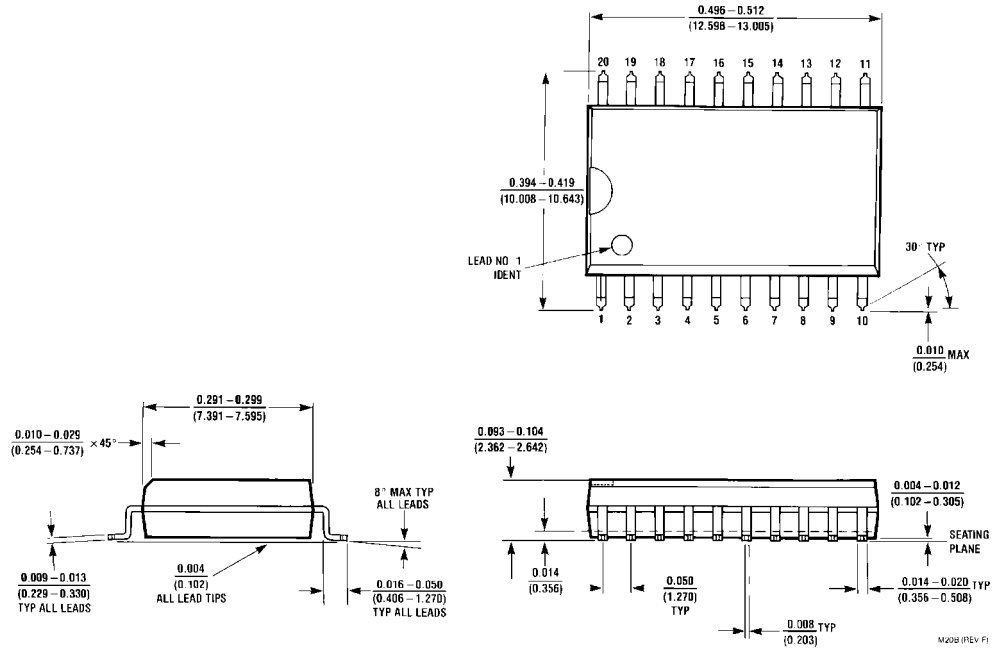


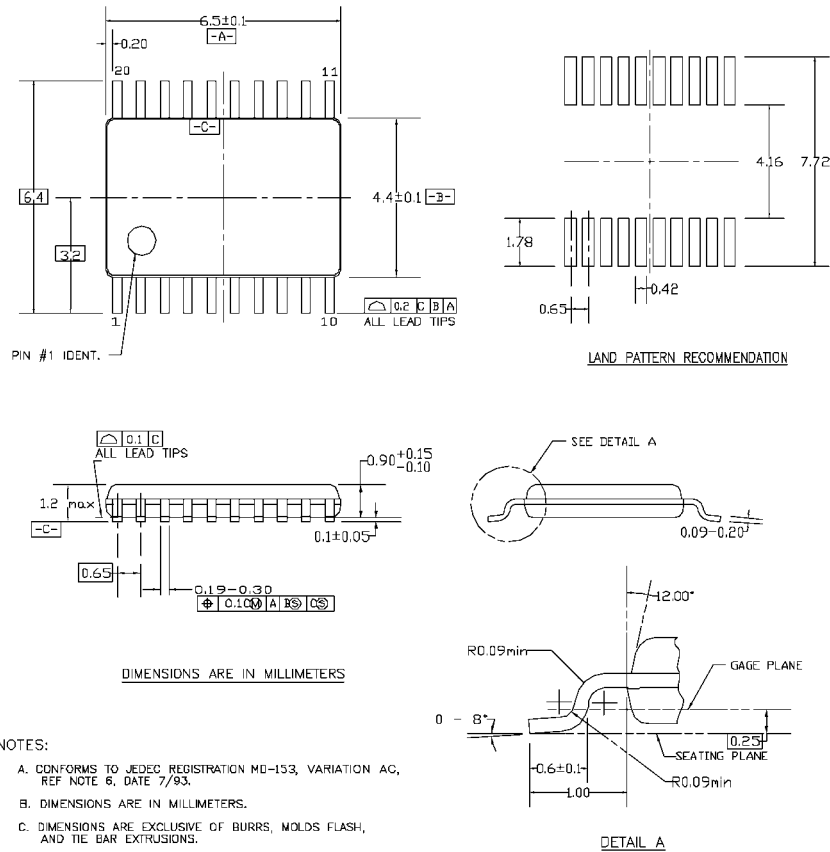
FIGURE 4. 3-STATE Output Low Enable and Disable Times for Low Voltage Logic

Physical Dimensions inches (millimeters) unless otherwise noted



**20-Lead Small Outline Integrated Circuit (SOIC), JEDEC MS-013, 0.300" Wide
Package Number M20B**

Physical Dimensions inches (millimeters) unless otherwise noted (Continued)



MTC20REVD1

20-Lead Thin Shrink Small Outline Package (TSSOP), JEDEC MO-153, 4.4mm Wide Package Number MTC20

Fairchild does not assume any responsibility for use of any circuitry described, no circuit patent licenses are implied and Fairchild reserves the right at any time without notice to change said circuitry and specifications.

LIFE SUPPORT POLICY

FAIRCHILD'S PRODUCTS ARE NOT AUTHORIZED FOR USE AS CRITICAL COMPONENTS IN LIFE SUPPORT DEVICES OR SYSTEMS WITHOUT THE EXPRESS WRITTEN APPROVAL OF THE PRESIDENT OF FAIRCHILD SEMICONDUCTOR CORPORATION. As used herein:

1. Life support devices or systems are devices or systems which, (a) are intended for surgical implant into the body, or (b) support or sustain life, and (c) whose failure to perform when properly used in accordance with instructions for use provided in the labeling, can be reasonably expected to result in a significant injury to the user.
2. A critical component in any component of a life support device or system whose failure to perform can be reasonably expected to cause the failure of the life support device or system, or to affect its safety or effectiveness.

www.fairchildsemi.com